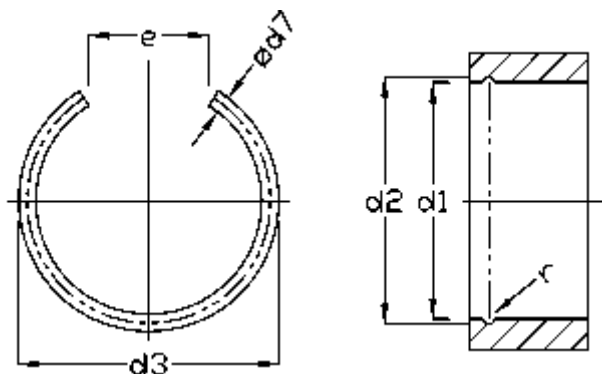


Article number: 0129027

Description: Circlip RB 12 DIN 7993

Measures



d1 = 12
d2 = 13.00
d3 = 13.2
d7 = 1.0
Description = RB 12
e = 6
r = 0.6
tol = +0,05 -0,05

tol = 0.4
Weight kg/1000 = 0.196